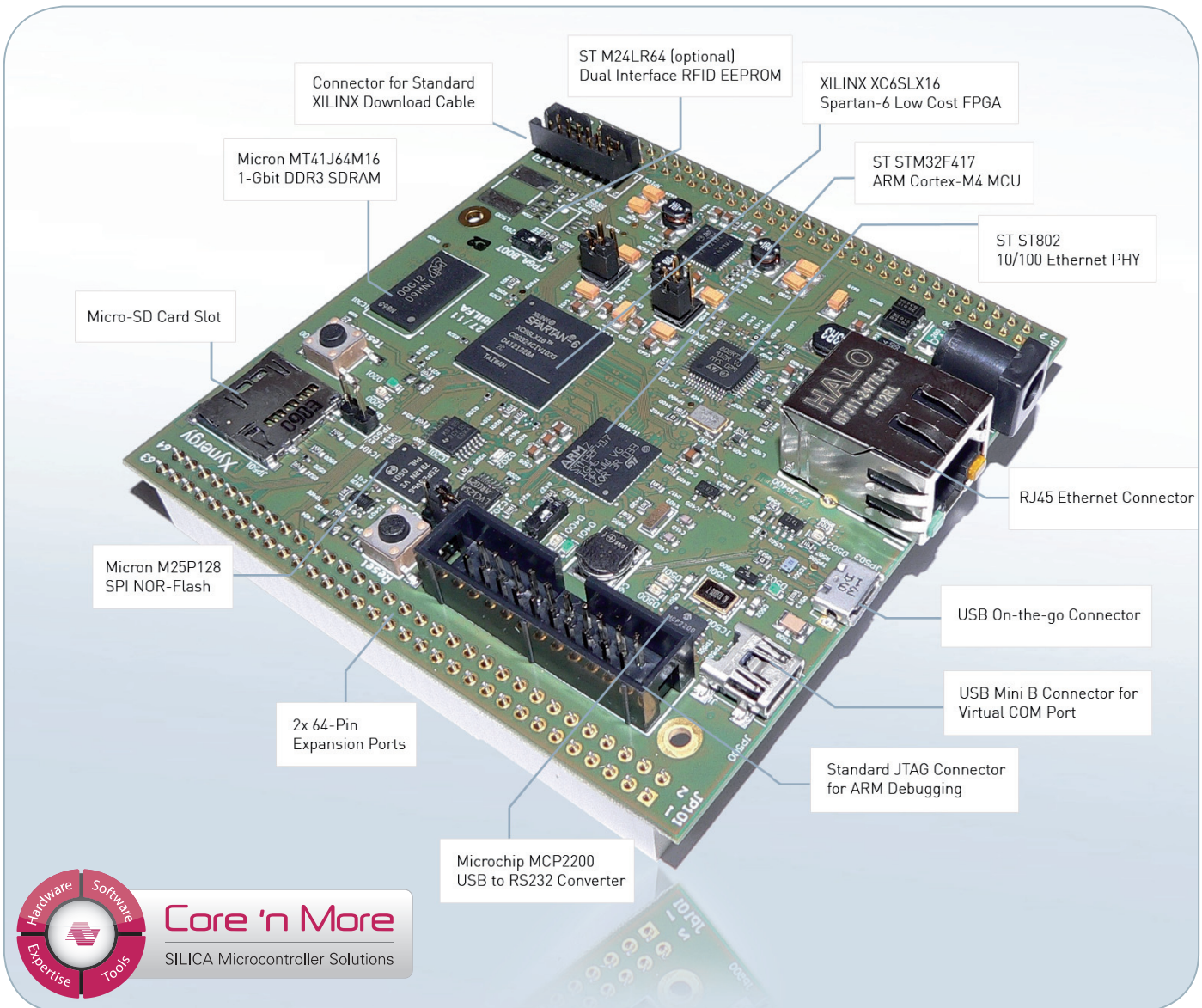


# Silica Xynergy-M4 Board

## STM32 meets Spartan-6



The Silica Xynergy-M4 Board combines an ARM Cortex-M4 based STMicroelectronics STM32F417 controller with a Xilinx Spartan-6 low-cost FPGA (XC6SLX16) in one design.

There are numerous development tools for either ARM Cortex-M microcontrollers or FPGA kits, but this is the first module in the market that merges both technologies on one board.

**Ordering Information:**  
 XYZBAYXYNERGYM4

For further details, please visit:  
[www.silica.com/xynergy-m4](http://www.silica.com/xynergy-m4)

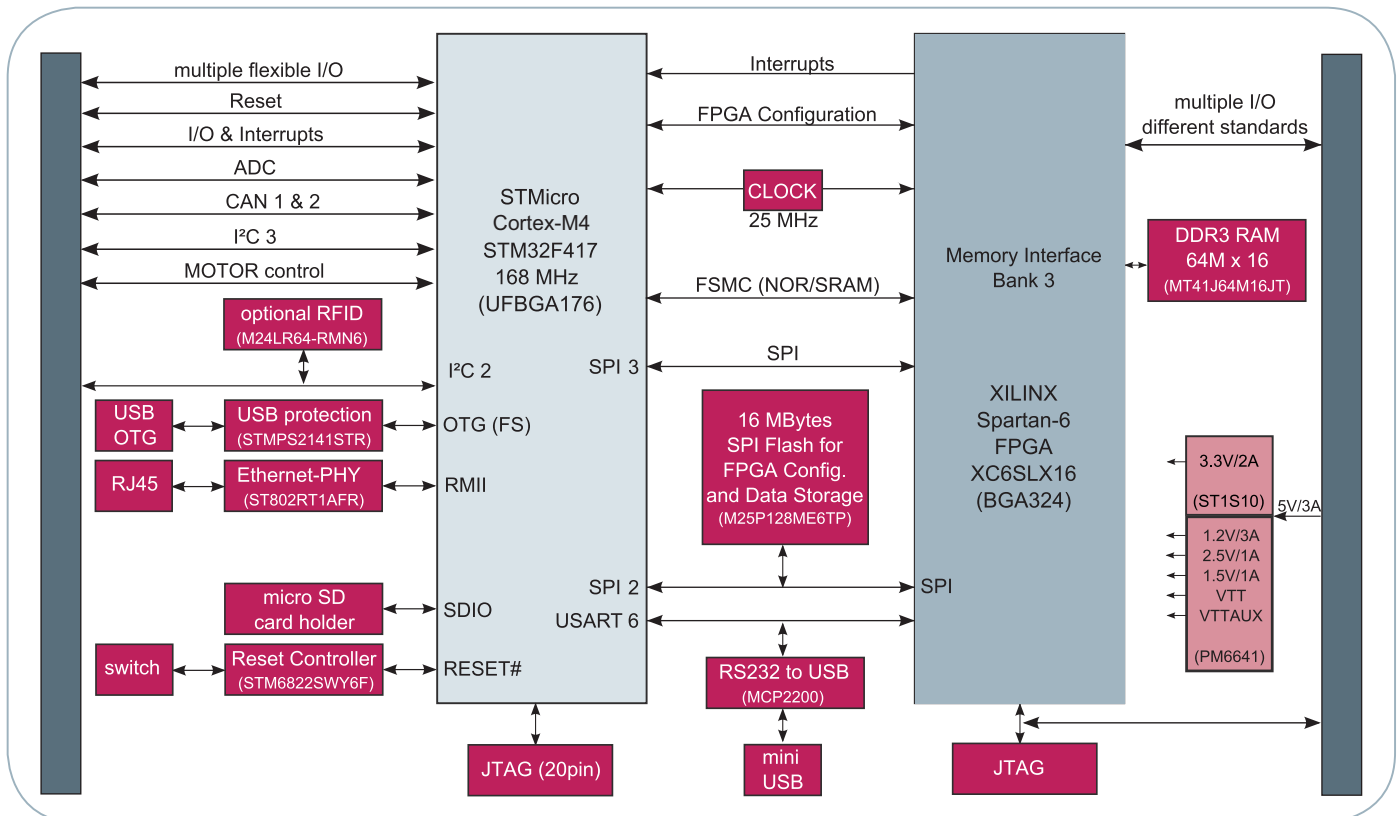
## Target Applications

- Evaluation of mixed microcontroller/ FPGA designs
- General purpose industrial applications using Ethernet/ USB/ CAN/ SPI/ I<sup>2</sup>C
- General purpose pre-, post- and co-processing with FPGA, i.e. digital filtering, advanced crypto, video etc.
- Implementation of industrial Ethernet IP in FPGA
- Motor control with FPGA acceleration of closed loop algorithms
- Access to DDR3 memory for the STM32
- Custom interfaces

## Kit Content

- Silica Xynergy Board
- ST-LINK/V2 in-circuit debugger/ programmer for STM32
- 5 V/3 A Power adapter
- Cat-5 Patch Cable
- USB 2.0 Cable A/ mini B for Virtual COM-port connection

## Block Diagram



## Getting Started

The Getting Started documentation, including links to compatible development tools with free options, the user manual, software examples and any additional documentation is available for download from: [www.silica.com/xynergy-m4](http://www.silica.com/xynergy-m4)